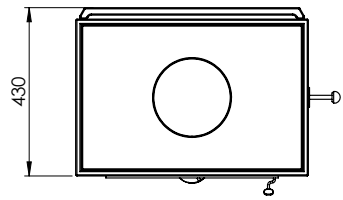
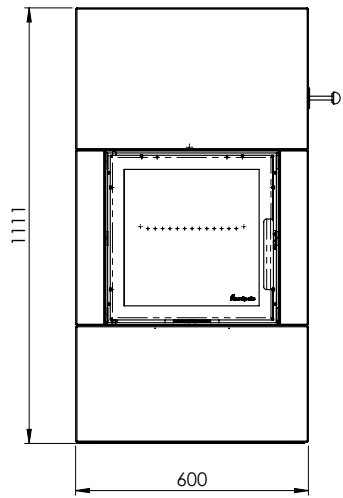
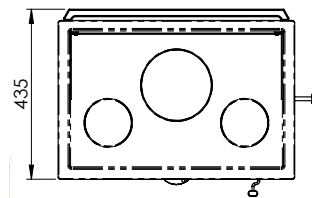
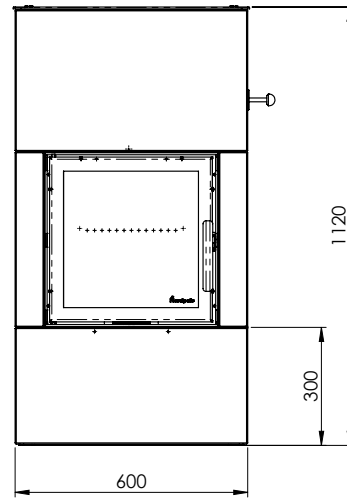


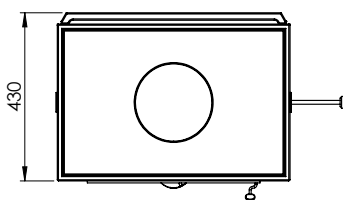
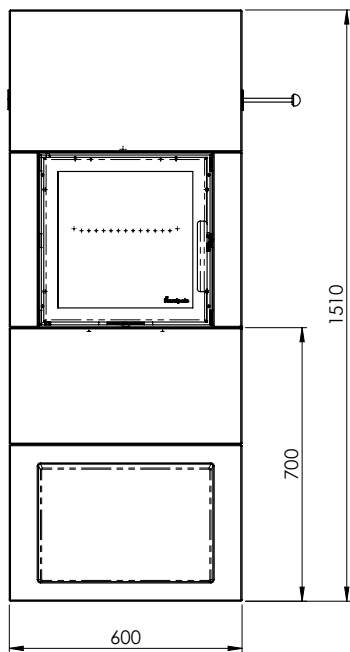
Salzburg S - concrete top plate



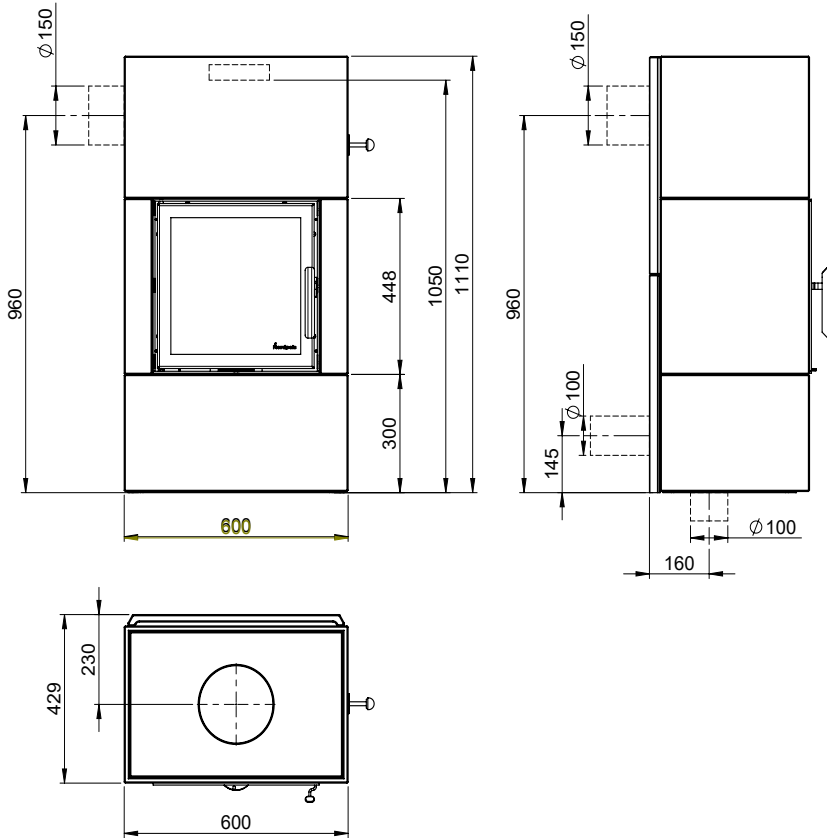
Salzburg S - hot top plate



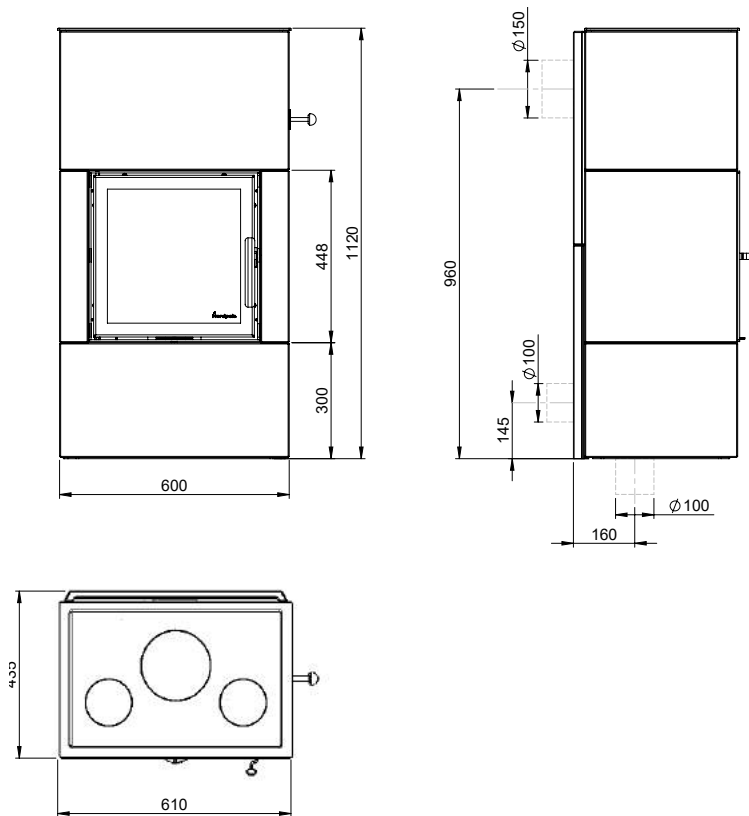
Salzburg S - concrete top plate / wood shelf



Salzburg S - concrete top plate; Chimney / Air =mm



Salzburg S - hot plate; Chimney / Air =mm



Salzburg S - concrete top plate with wood shelf; Chimney / Air =mm

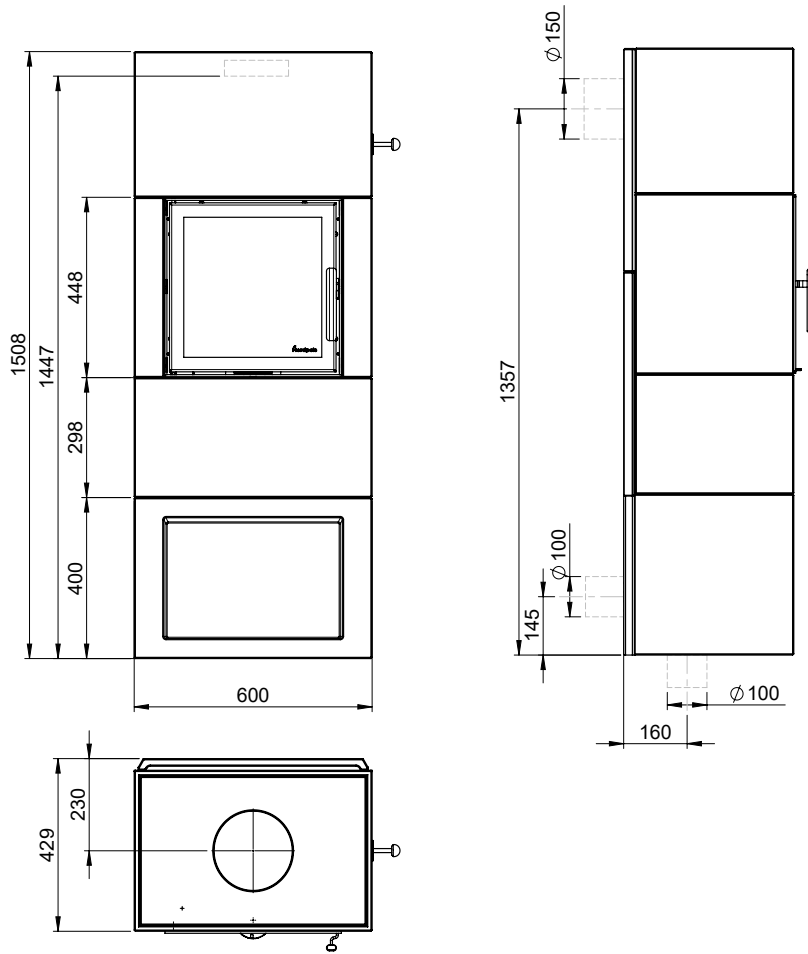

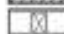


Fig 2

 = Brannmur/Brandmur/Palomuuri/Firewall/Mur parefeu/Hitzenschutzwand
 = Brennbar materiale/Brændbart materiale/ Brännbart material/ Tulenarka materiaali/Combustible material
 Matière combustibles/Brennbarem Material

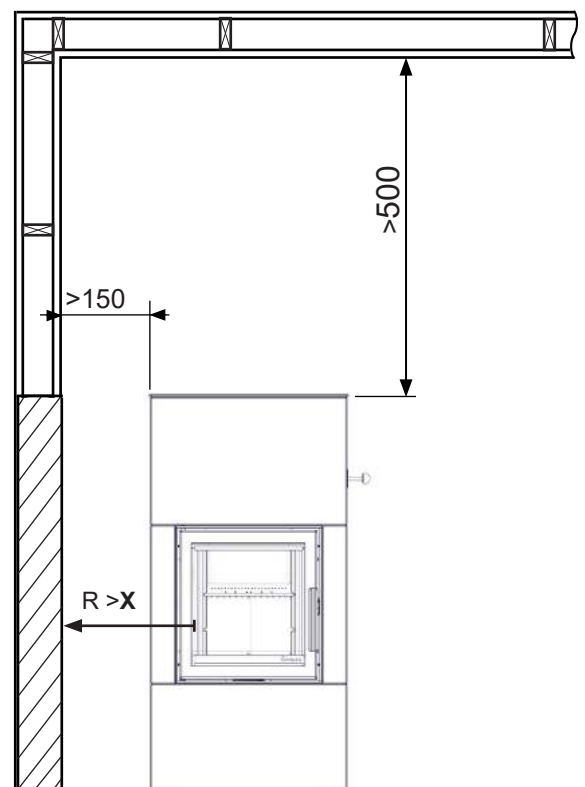
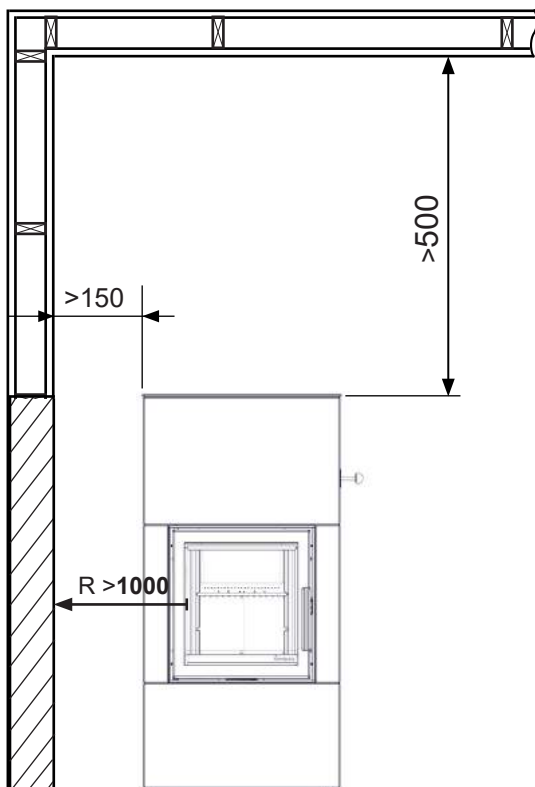
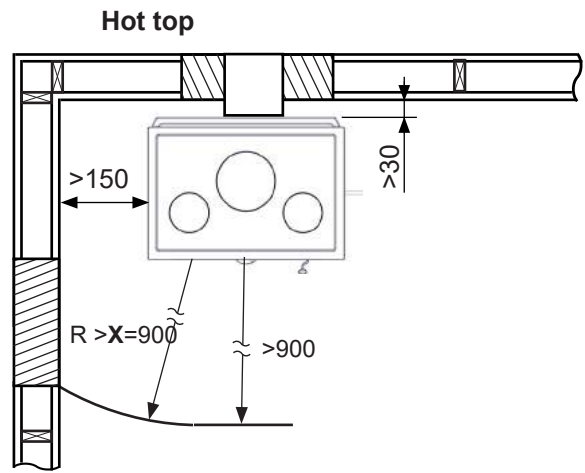
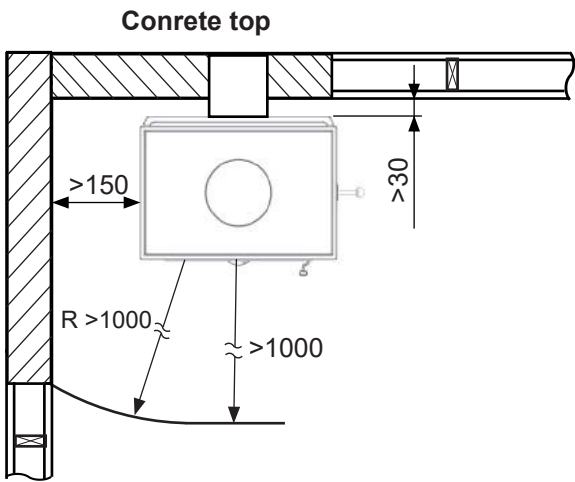
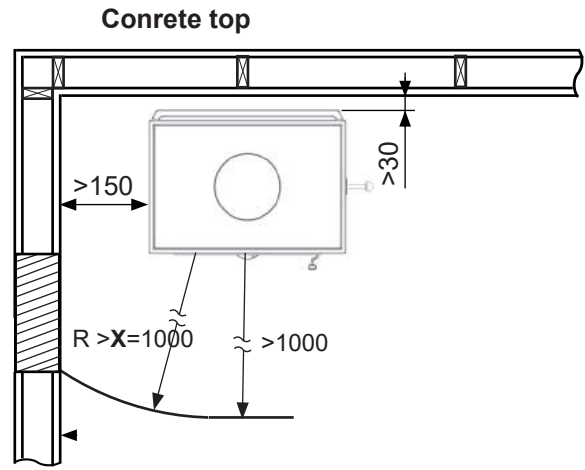
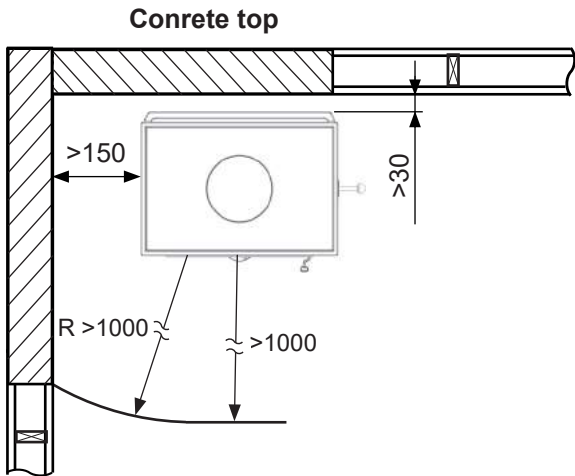


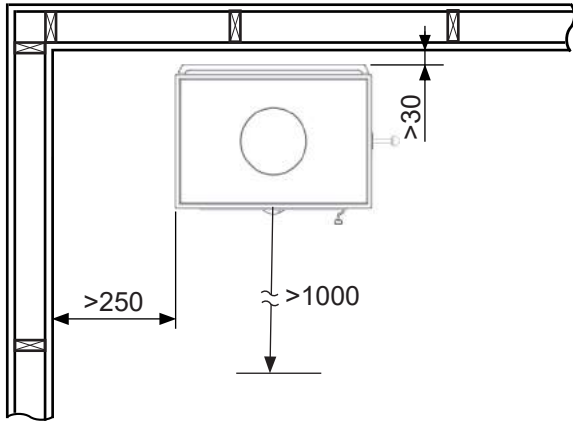


Fig 2b

 = Brannmur/Brandmur/Pakomuri/Firewall/Mur parefeu/Hitzenschutzwand
 = Brennbar materiale/Brændbart materiale/ Brännbart material/ Tulenarka materiaali/Combustible material
Matières combustibles/Brennbarem Material

Concrete top



Hot top

