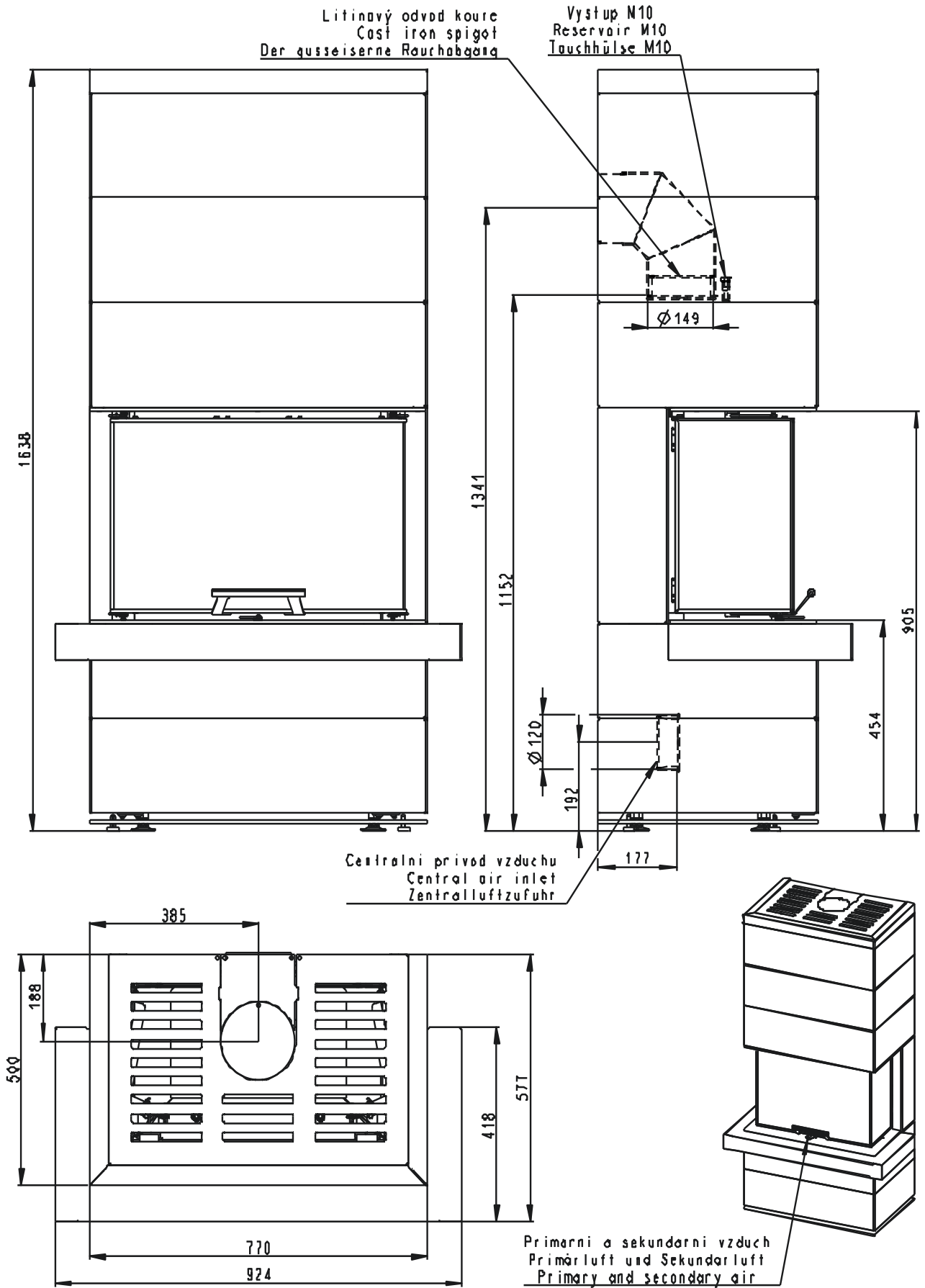


CARA C 03



Artikl	CARA C 03
--------	-----------

General data

Nominal heat output	kW	7,8
Efficiency	%	82,93
Mass of the test fuel fired hourly	kg/h	2,20
Dry flue gases mass flow	g/s	6,9
Mean flue gas temperature	°C	221
Flue draught	Pa	12
Weight	kg	280
CO ₂	%	9,35
Dust O ₂ =13%	mg/m ³	25
CO O ₂ =13%	mg/m ³	1173

Recommended values

Reg.output	kW	3,5-10
Max. mass of the test fuel fired hourly	kg/h	2,25
Flue gas connector diameter	mm	150

Meets requirement limit values for

EN 13 240	•
BImSch V 1	•
BImSch V 2	•
DIN plus	•
15a B-VG	•

Supplied accessories

Holder with magnet	•
Ashtray	-