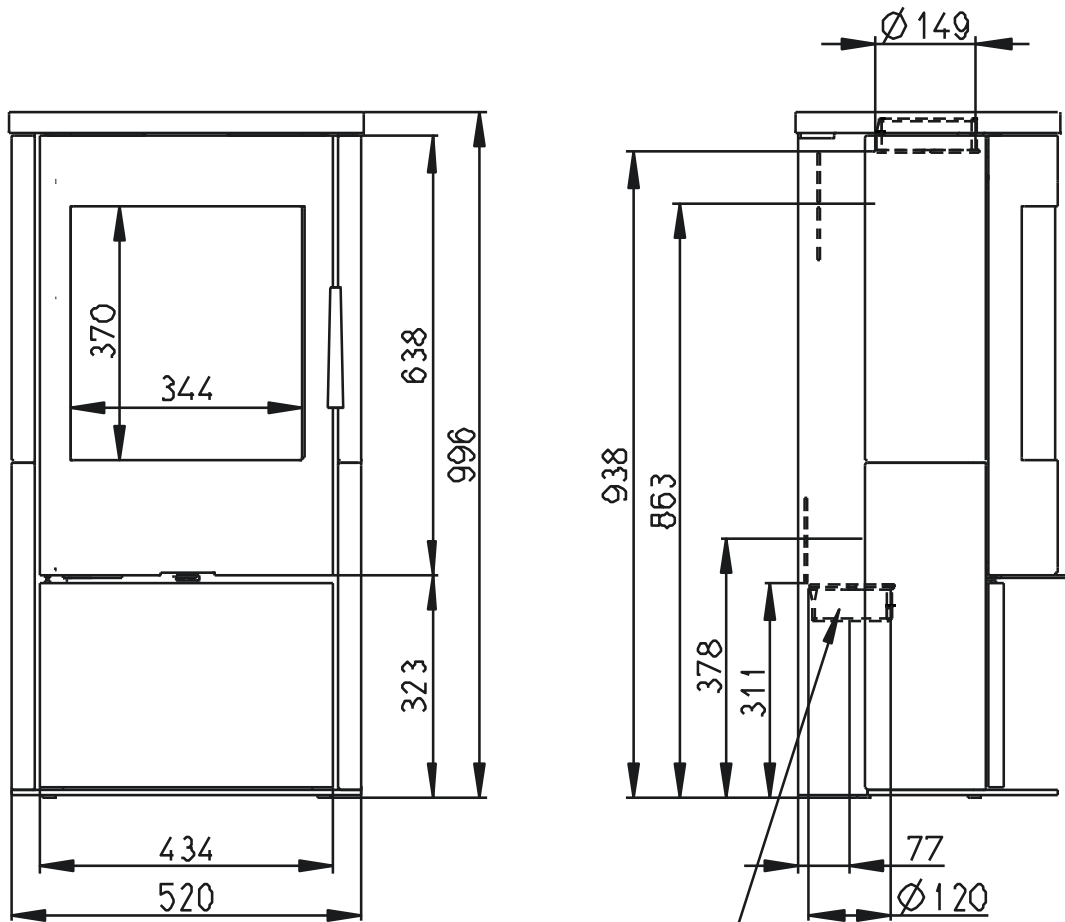
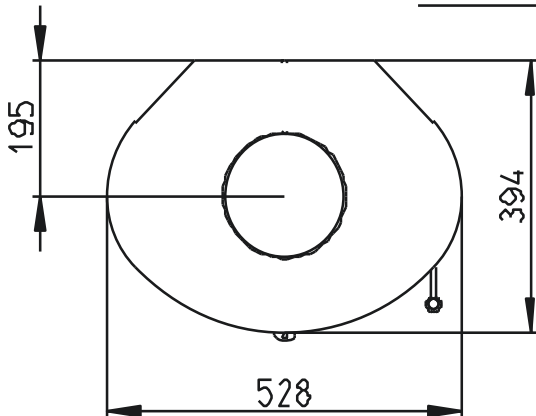


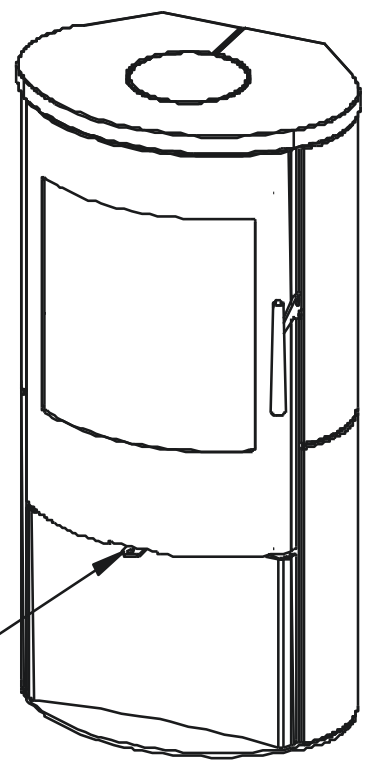
ALPERA E



CENTRALNI PRIVOD VZDUCHU
 Zentralluftzufuhr
 Central air inlet
 Ø120mm



SEKUNDARNI VZDUCH
 Sekundärluft
 Secondary air
 A/UND/AND
 PRIMARNI VZDUCH
 Primärluft
 Primary air



Artikl	ALPERA E		
--------	----------	--	--

General data

Nominal heat output	kW	4,0	5,9
Efficiency	%	80	
Mass of the test fuel fired hourly	kg/h	1,27	1,73
Dry flue gases mass flow	g/s	4,0	6,9
Mean flue gas temperature	°C	332	252
Flue draught	Pa	12	
Weight	kg	123	
CO ₂	%	9,59	7,23
Dust O ₂ =13%	mg/m ³	15	35
CO O ₂ =13%	mg/m ³	1192	1118

Recommended values

Reg.output	kW	3-8
Max. mass of the test fuel fired hourly	kg/h	2,2
Flue gas connector diameter	mm	150

Meets requirement limit values for

EN 13 240	•
BImSch V 1	•
BImSch V 2	•
DIN plus	•
15a B-VG	•

Supplied accessories

Holder with magnet	•
Ashtray	•