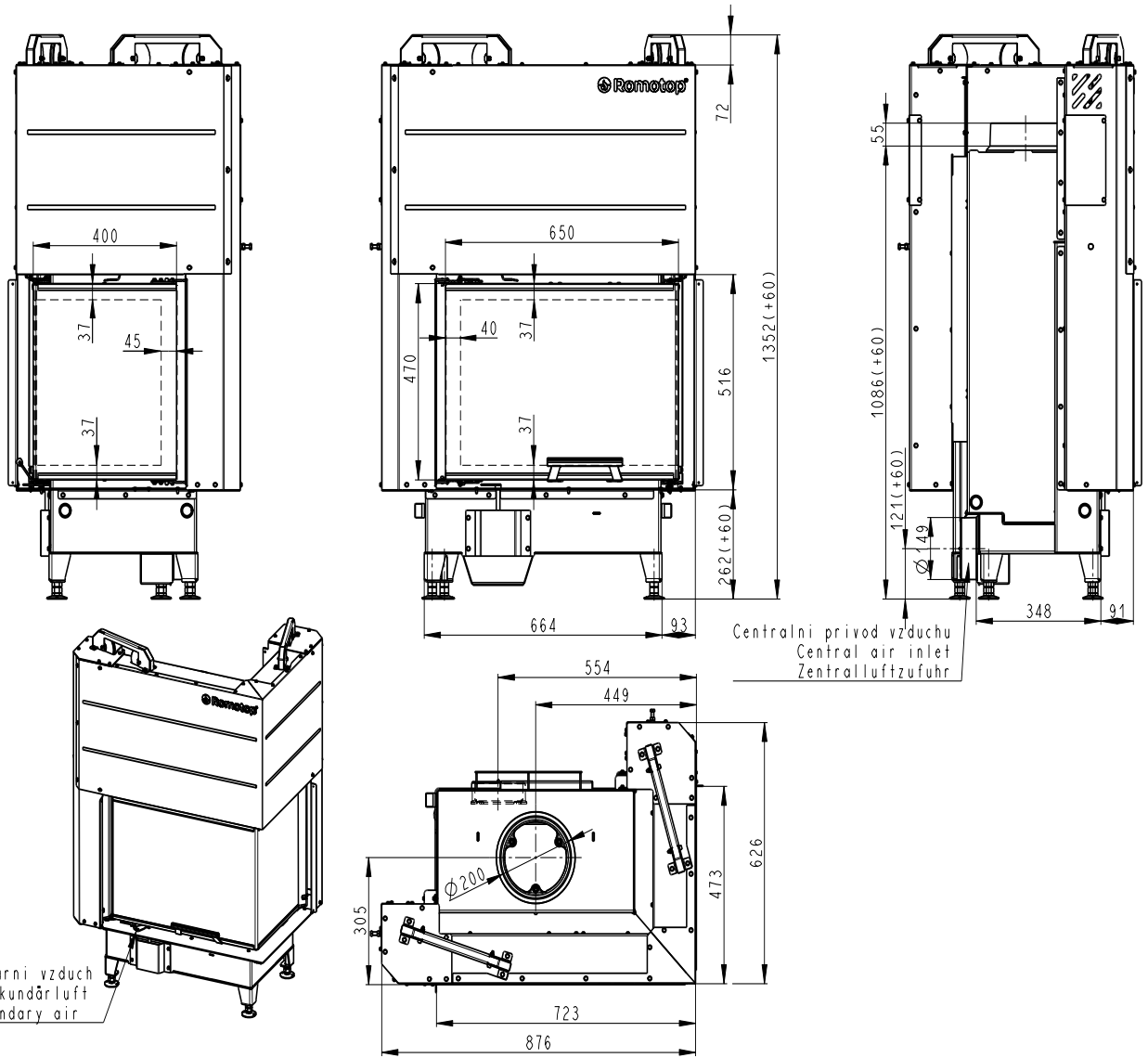


# HEAT R/L 2g L 65.51.40.01



Artikl	HR2LG 01 / HL2LG 01
--------	---------------------

#### General data

Nominal heat output	kW	6,9
Efficiency	%	85
Mass of the test fuel fired hourly	kg/h	1,92
Dry flue gases mass flow	g/s	3,6
Mean flue gas temperature	°C	266
Flue draught	Pa	12
Weight	kg	230
CO <sub>2</sub>	%	11,84

#### Recommended values

Reg.output	kW	4 – 11
Max. mass of the test fuel fired hourly	kg/h	4,51
Min. cross section of convect air inlet for nominal output	cm <sup>2</sup>	880
Min. cross section of convect air outlet for nominal output	cm <sup>2</sup>	1120
Combustion air requirement	m <sup>3</sup> /h	13,35
Flue gas connector diameter	mm	180 - 250

#### Meets requirement limit values for

EN 13 229	•
BImSch V 1	•
BImSch V 2	•
DIN plus	•
15a B-VG	•

#### Supplied accessories

Holder with magnet	•
Hook to open the ashtray	-
Ashtray	-