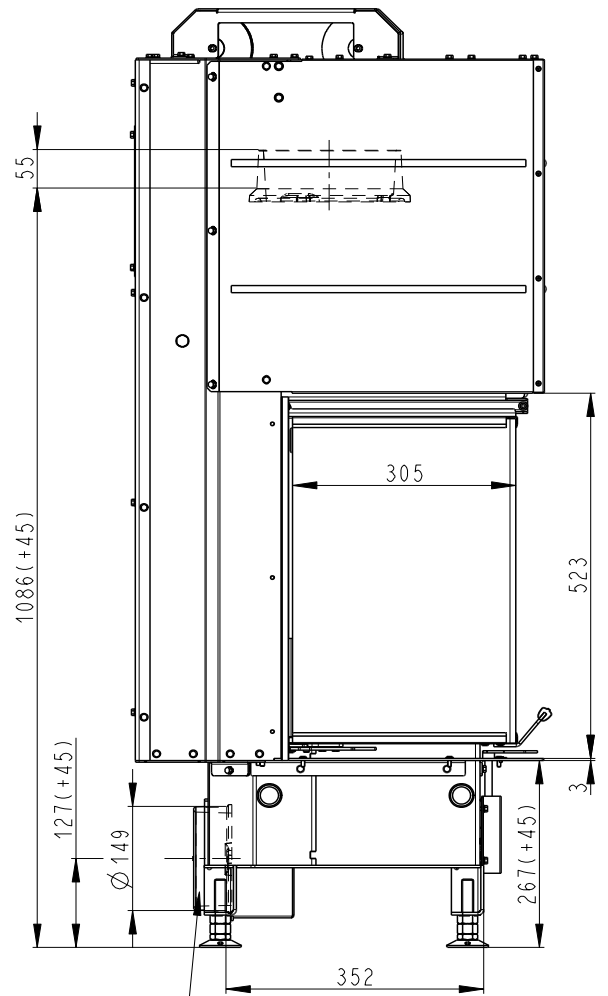
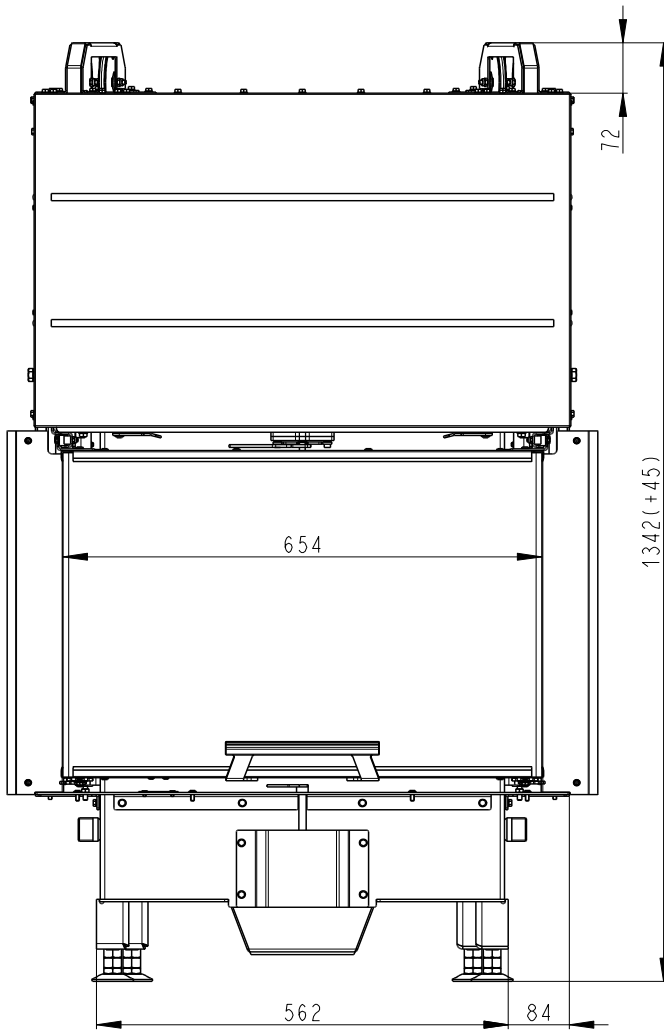
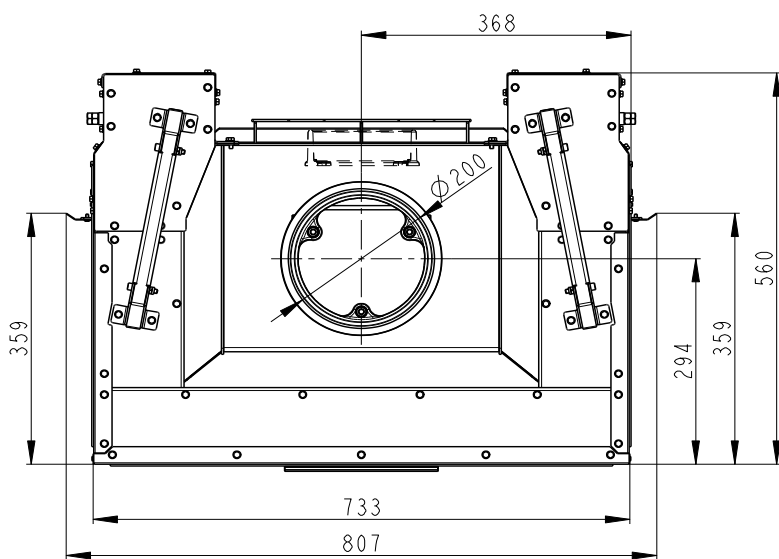


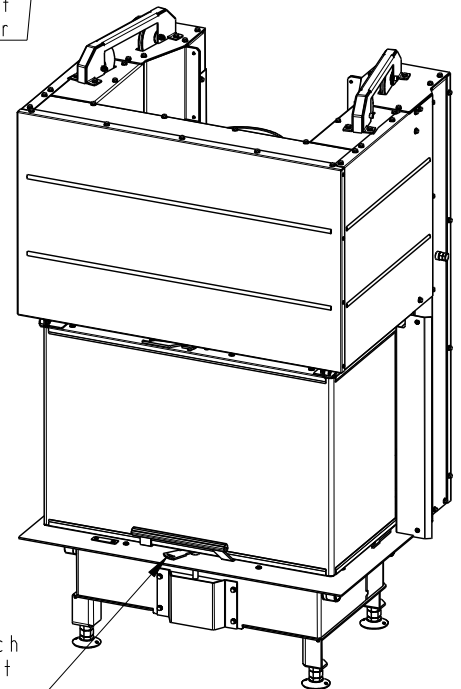
HEAT C 2g L 65.52.31.01 (21)



Centralni privod vzduchu
 Central air inlet
 Zentralluftzufuhr



Primarni a sekundarni vzduh
 Primärluft und Sekundärluft
 Primary and secondary air



Artikl	HC2LH 01 (21)
--------	---------------

General data

Nominal heat output	kW	7,8
Efficiency	%	82,93
Mass of the test fuel fired hourly	kg/h	2,2
Dry flue gases mass flow	g/s	6,9
Mean flue gas temperature	°C	221
Flue draught	Pa	11
Weight	kg	210
CO ₂	%	9,35

Recommended values

Reg.output	kW	3,9 – 10,1
Max. mass of the test fuel fired hourly	kg/h	4,51
Min. cross section of convect air inlet for nominal output	cm ²	900
Min. cross section of convect air outlet for nominal output	cm ²	1070
Combustion air requirement	m ³ /h	23,6
Flue gas connector diameter	mm	150 - 200

Meets requirement limit values for

EN 13 229	•
BImSch V 1	•
BImSch V 2	•
DIN plus	•
15a B-VG	•

Supplied accessories

Holder with magnet	•
Hook to open the ashtray	-
Ashtray	-