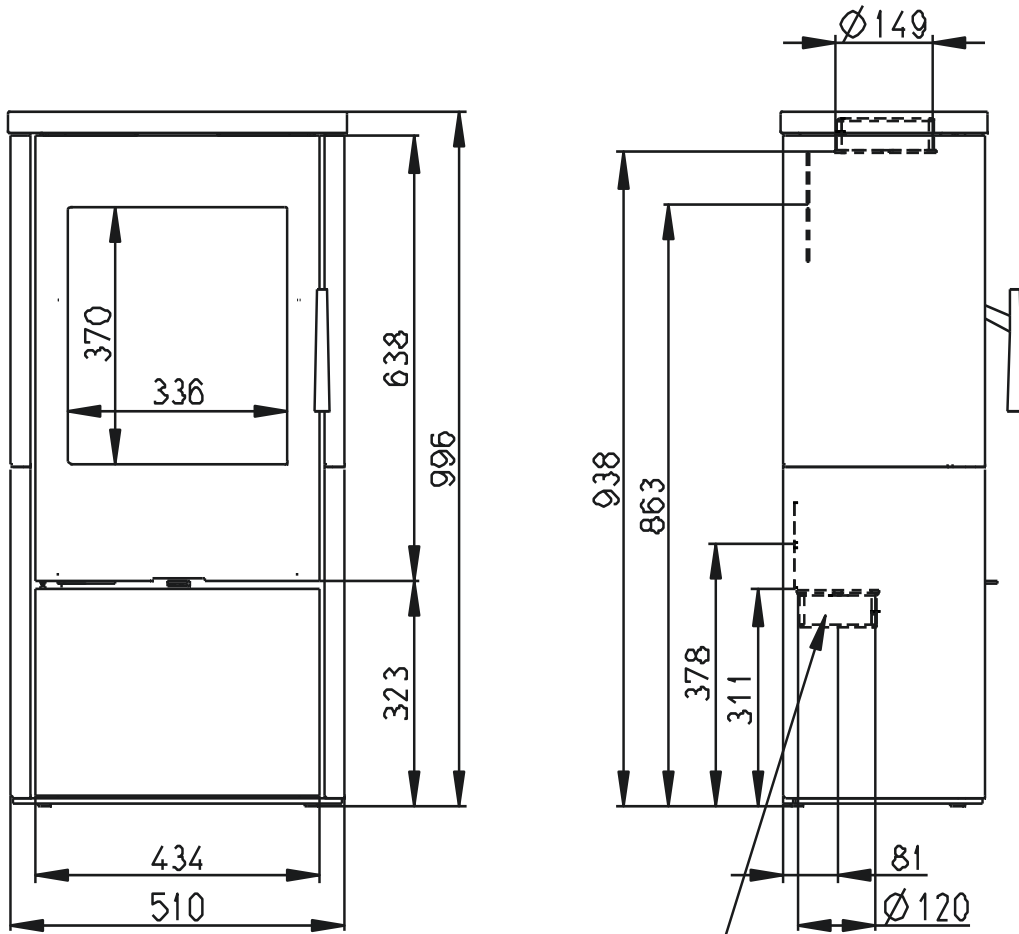
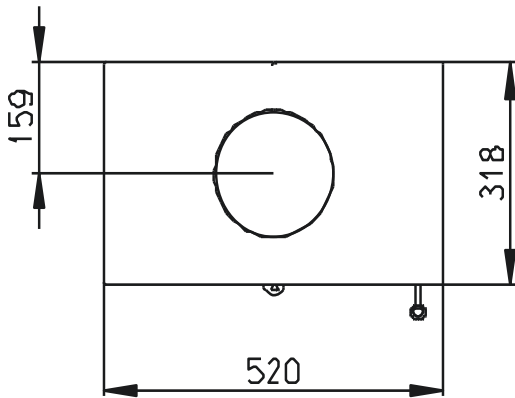


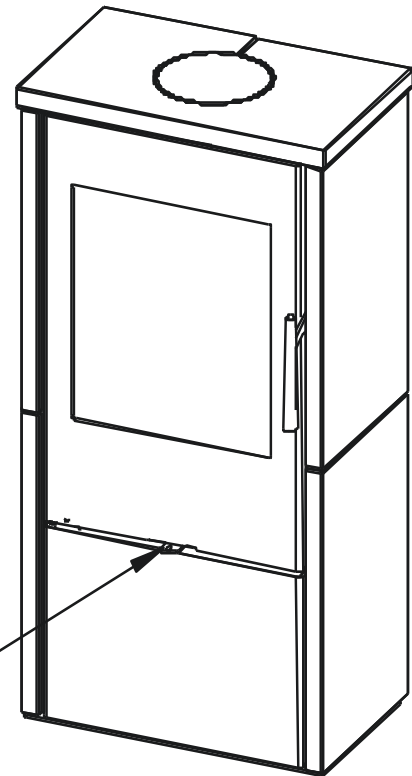
**ALPERA F**



CENTRALNI PRIVOD VZDUCHU  
 Zentralluftzufuhr  
 Central air inlet  
 $\varnothing 120\text{mm}$



SEKUNDARNI VZDUCH  
 Sekundärluft  
 Secondary air  
 A/UND/AND  
 PRIMARNI VZDUCH  
 Primärluft  
 Primary air



Artikl	ALPERA F		
--------	----------	--	--

#### General data

Nominal heat output	kW	4,0	5,9
Efficiency	%	80	
Mass of the test fuel fired hourly	kg/h	1,27	1,73
Dry flue gases mass flow	g/s	4,0	6,9
Mean flue gas temperature	°C	332	252
Flue draught	Pa	12	
Weight	kg	132	
CO <sub>2</sub>	%	9,59	7,23
Dust O <sub>2</sub> =13%	mg/m <sup>3</sup>	15	35
CO O <sub>2</sub> =13%	mg/m <sup>3</sup>	1192	1118

#### Recommended values

Reg.output	kW	3-8
Max. mass of the test fuel fired hourly	kg/h	2,2
Flue gas connector diameter	mm	150

#### Meets requirement limit values for

EN 13 240	•
BImSch V 1	•
BImSch V 2	•
DIN plus	•
15a B-VG	•

#### Supplied accessories

Holder with magnet	•
Ashtray	•