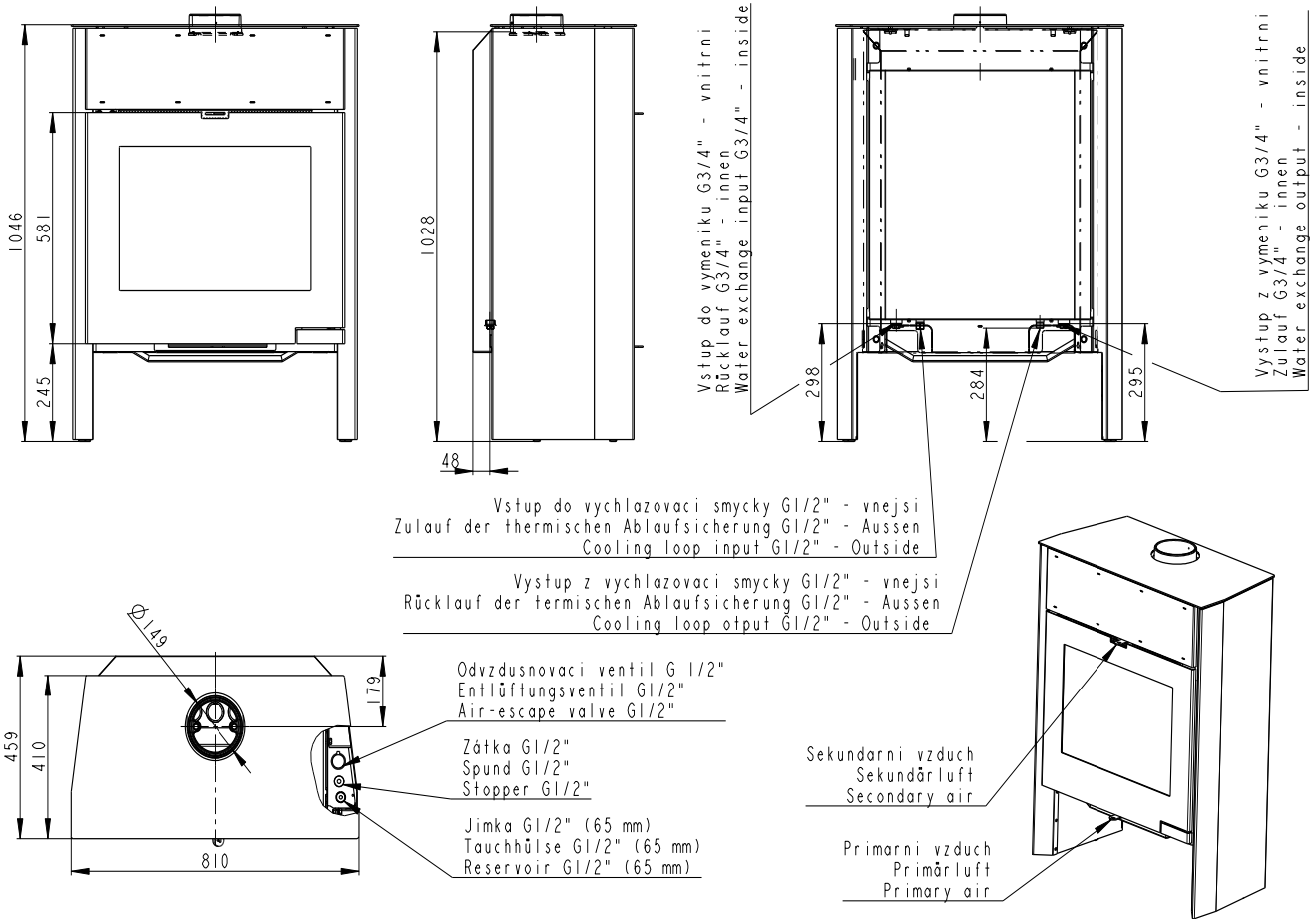


RIANO W



Artikl	RIANO W
--------	---------

General data

Nominal heat output	kW	13
Water heat output	kW	9
Efficiency	%	83,4
Mass of the test fuel fired hourly	kg/h	3,75
Dry flue gases mass flow	g/s	13,1
Mean flue gas temperature	°C	236
Flue draught	Pa	12
Weight	kg	256
CO ₂	%	8,32
Dust O ₂ =13%	mg/m ³	19
CO O ₂ =13%	mg/m ³	981

Recommended values

Reg.output	kW	4,5-12
Max. mass of the test fuel fired hourly	kg/h	4,8
Flue gas connector diameter	mm	150

Meets requirement limit values for

EN 13 240	●
BImSch V 1	●
BImSch V 2	●
DIN plus	●
15a B-VG	-

Supplied accessories

Holder with magnet	●
Hook to open the ashtray	-
Ashtray	-
Chimney brush	●
Automatic ventilation valve	-
Cooling loop	-
Cooling valve	-