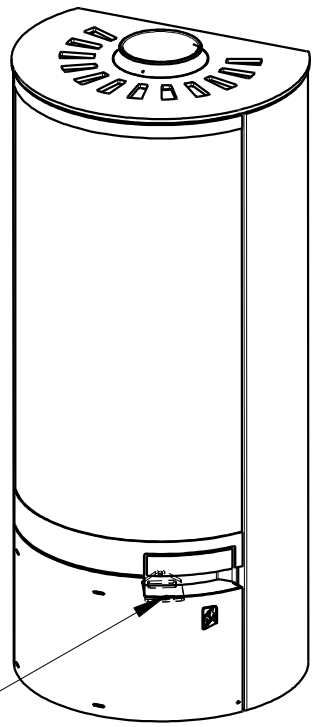
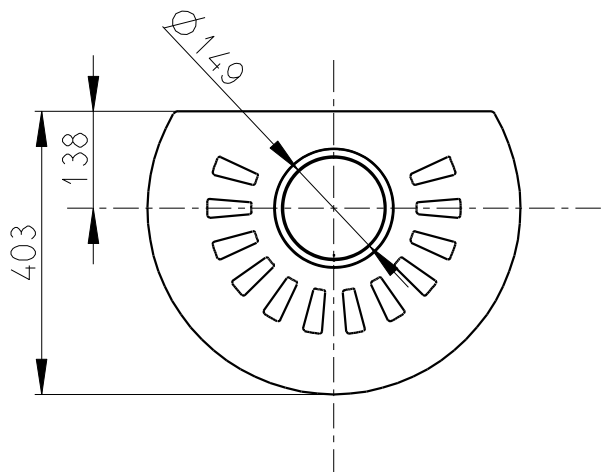
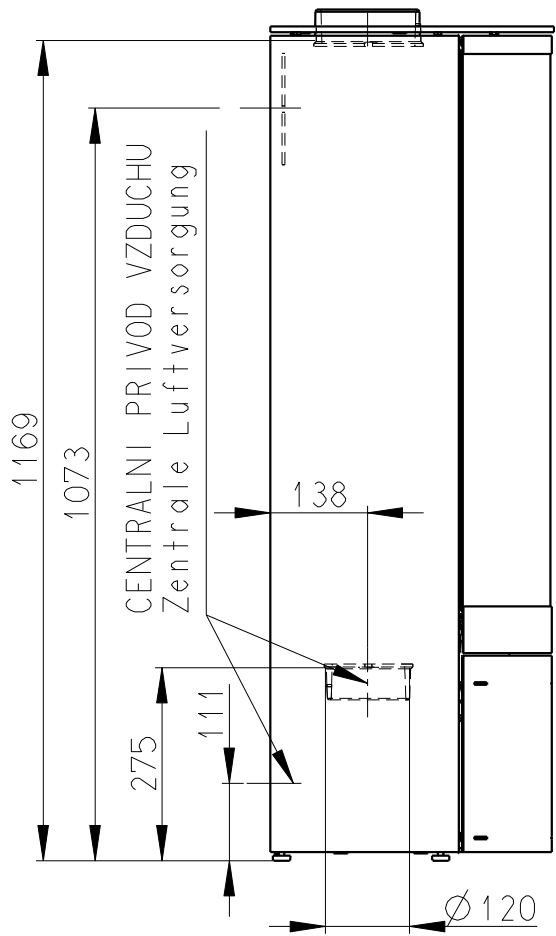
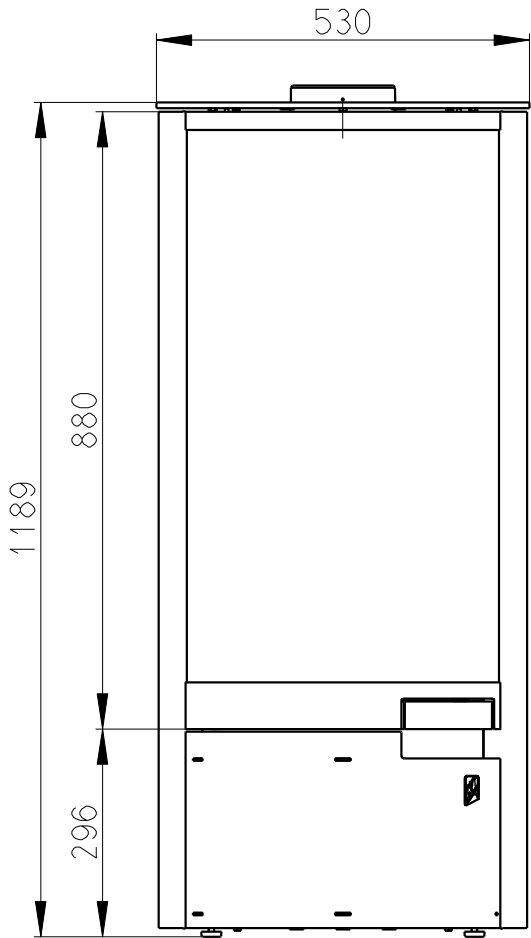


**BELORADO**



PRIMARNI A SEKNDARNI VZDUCH  
Primär und Sekundärluft

Artikl	BELORADO		
--------	----------	--	--

#### General data

Nominal heat output	kW	5,9	4,9
Efficiency	%	81,88	80,54
Mass of the test fuel fired hourly	kg/h	1,26	1,41
Dry flue gases mass flow	g/s	3,9	4,8
Mean flue gas temperature	°C	240	237
Flue draught	Pa	12	
Weight	kg	153	
CO <sub>2</sub>	%	9,57	8,48
Dust O <sub>2</sub> =13%	mg/m <sup>3</sup>	39	39
CO O <sub>2</sub> =13%	mg/m <sup>3</sup>	946	694

#### Recommended values

Reg.output	kW	3-8
Max. mass of the test fuel fired hourly	kg/h	2,2
Flue gas connector diameter	mm	150

#### Meets requirement limit values for

EN 13 240	•
BImSch V 1	•
BImSch V 2	•
DIN plus	•
15a B-VG	•

#### Supplied accessories

Holder with magnet	•
Ashtray	•