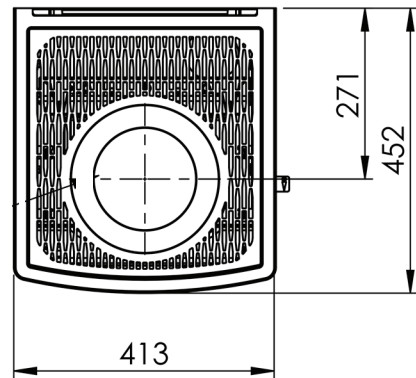
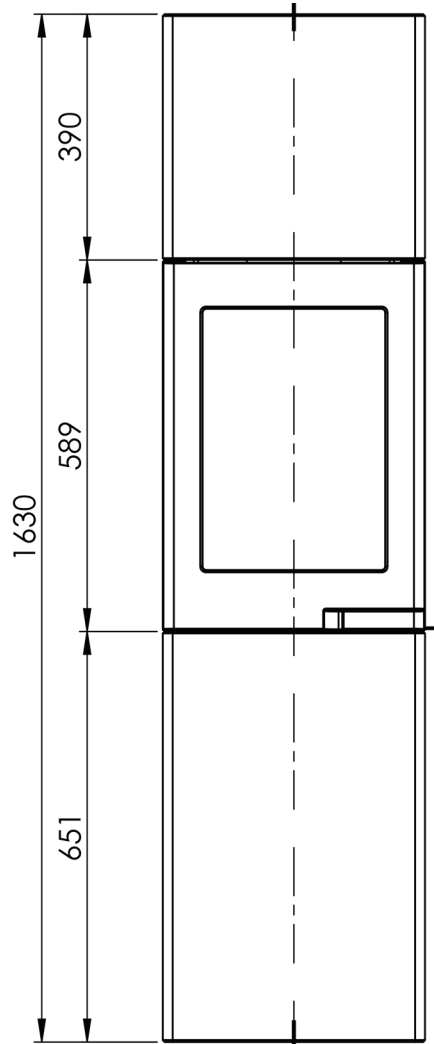
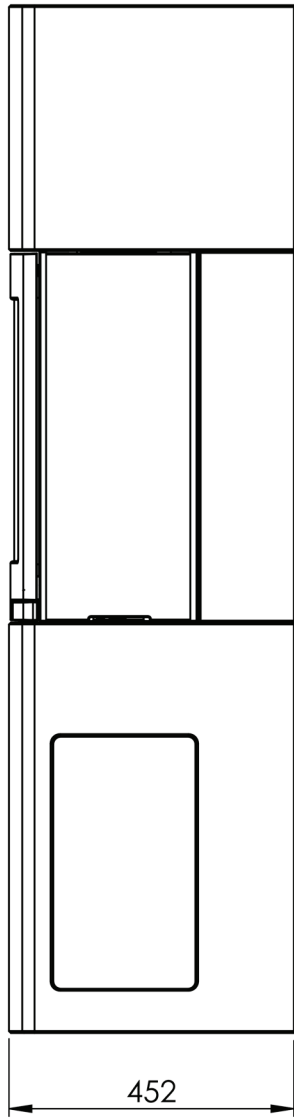


FIG 1

Lisboa=mm



Lisboa=mm AIR / mm Chimney

