



Přední evropský výrobce
krbových kamen a krbových vložek

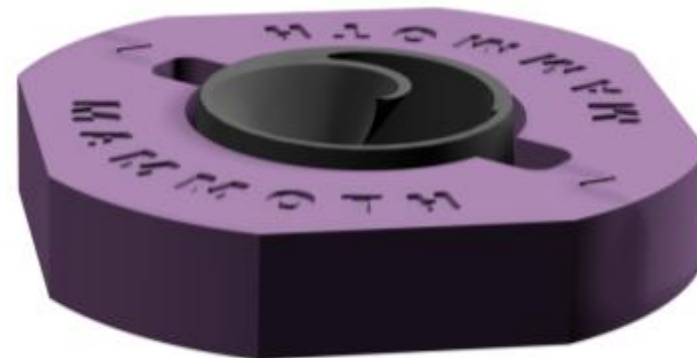
ROMOTOP MAMMOTH



Assembling without any
reduction ring with help
of leading rods mounted
right on the spigot (200
mm)

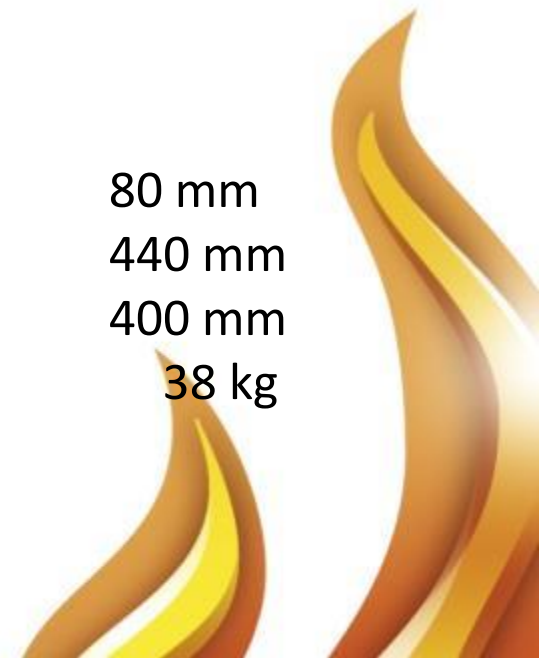


Top cast iron segment
has got 200 mm
outside to connect
with chimney

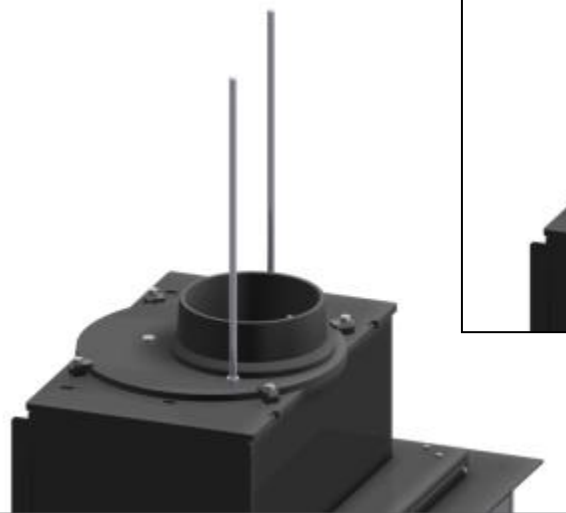


One segment

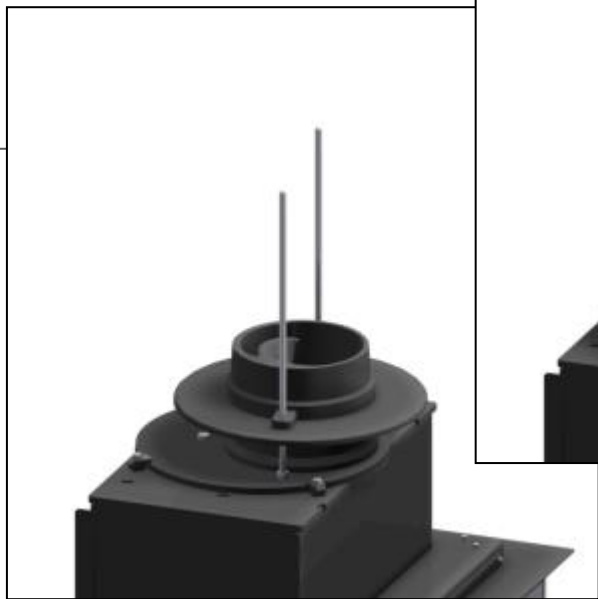
Height	80 mm
diameter	440 mm
Width	400 mm
Weight	38 kg



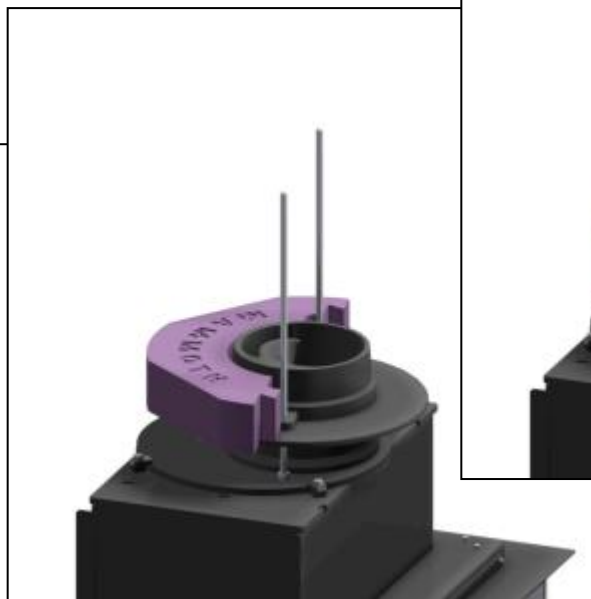
ROMOTOP MAMMOTH – assembly



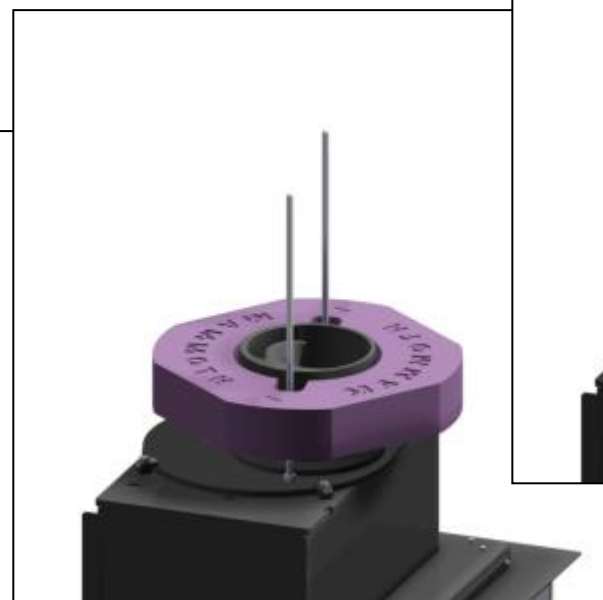
1. Assembling is done directly on spigot \varnothing 200 mm



2. Leading rods need to be mounted first and secured with contra nuts.



3. Placing cast iron segment



4. Placing brick segments



ROMOTOP MAMMOTH – assembly



5. Placing other brick segments



6. Last cast iron segment needs to be secured with nuts.



7. Then last brick segments are installed to complete the set.



Installation tips for Romotop MAMMOTH

When installing MAMMOTH accumulation set we recommend following (will be stated in manual of each insert):

1. It is recommended to **take out top baffle**, which makes **double spin**
2. Optimal number of rings will be stated for each insert
3. Optimal output and loading quantity per hour will be stated
4. Optimal temperature output at the end of accumulation set will be recommended

