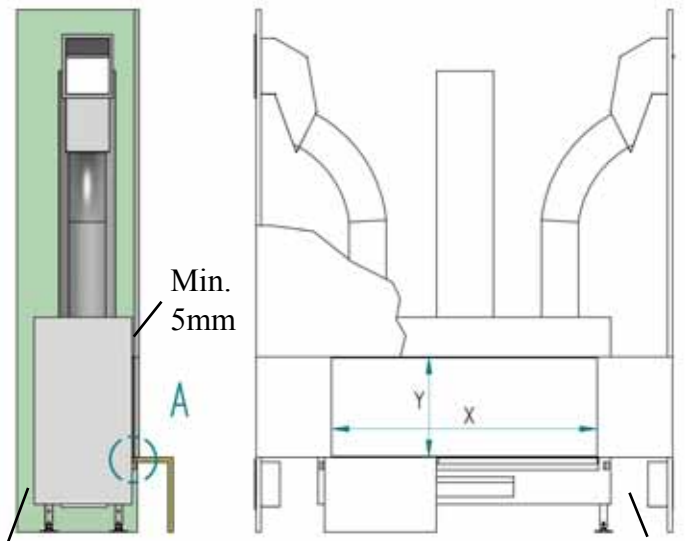
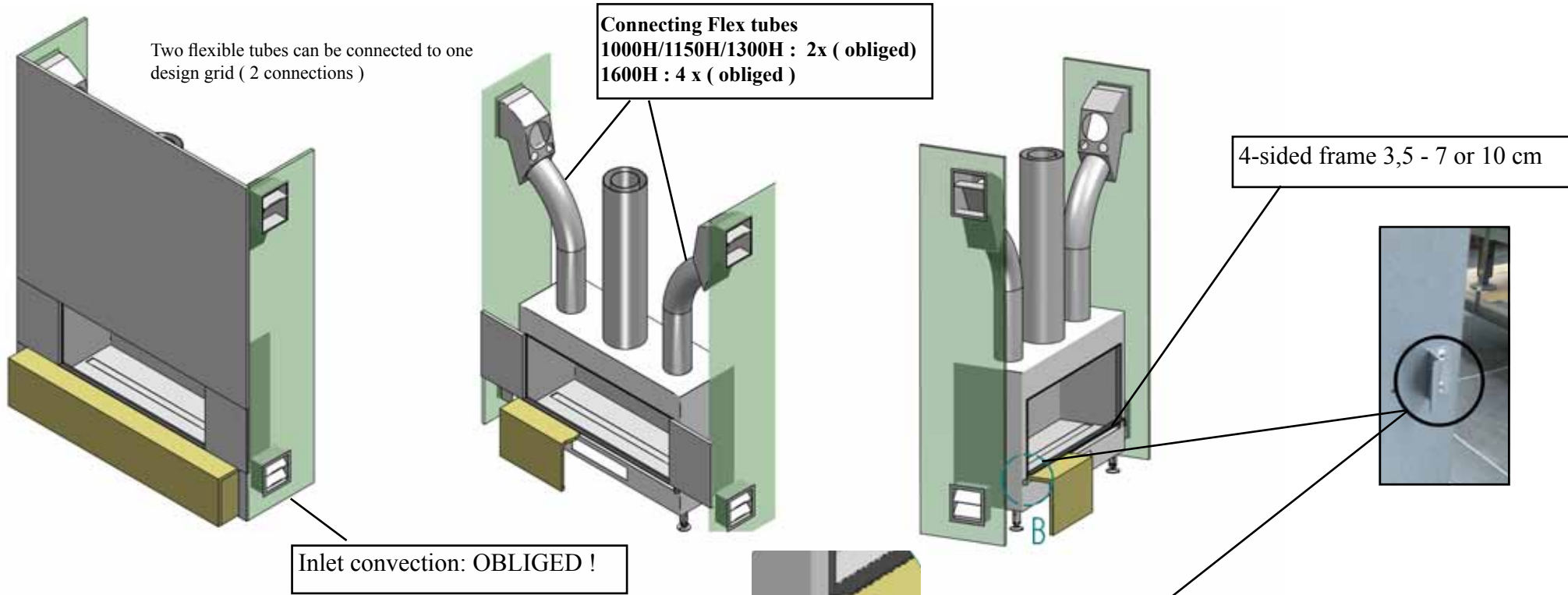
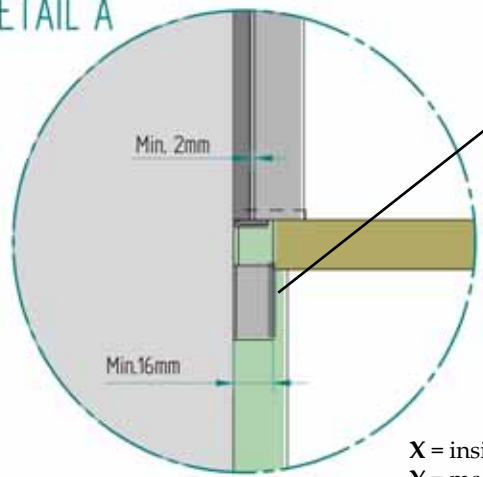


# Example how to mount without a 4-sided frame



DETAIL A



Model	X (mm)	Y (mm)
1000H/DH	923	406
1150H/DH	1073	406
1300H/DH	1223	406
1600H/DH	1523	406
550V/DV	473	406
850V/DV	773	406

**X = inside measurement frame ( finished size )**  
**Y = measurement from underneath 4th side frame till upper side frame above window (finishing size )**