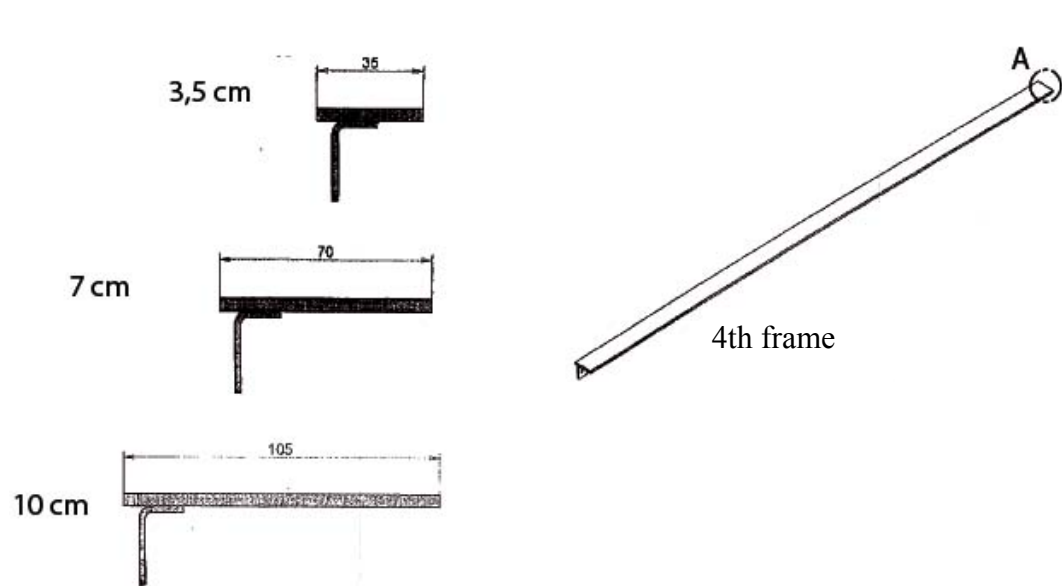
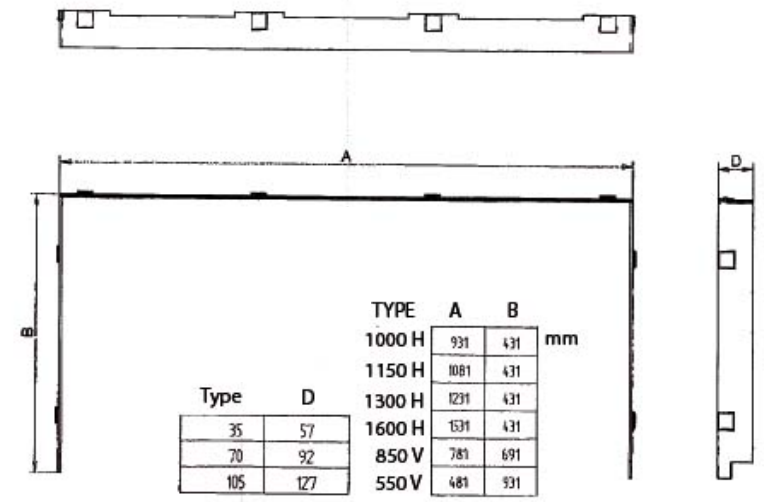
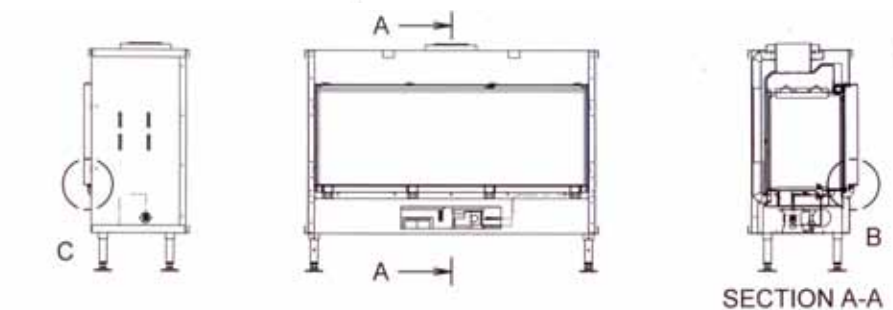
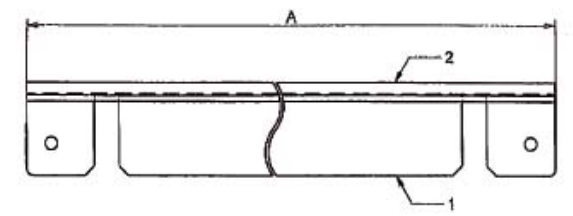


# 4-sided frame



TYPE	A
1000 H	923
1150 H	1073
1300 H	1223
1600 H	1523
850 V	773
550 V	473



DETAIL C (30, 85, 100)

TAB. SPOILER VS. 3-SIDE FRAME			
TYPE	A (mm)	B (mm)	C (mm)
1	35	55	30
2	70	90	65
3	105	125	100

